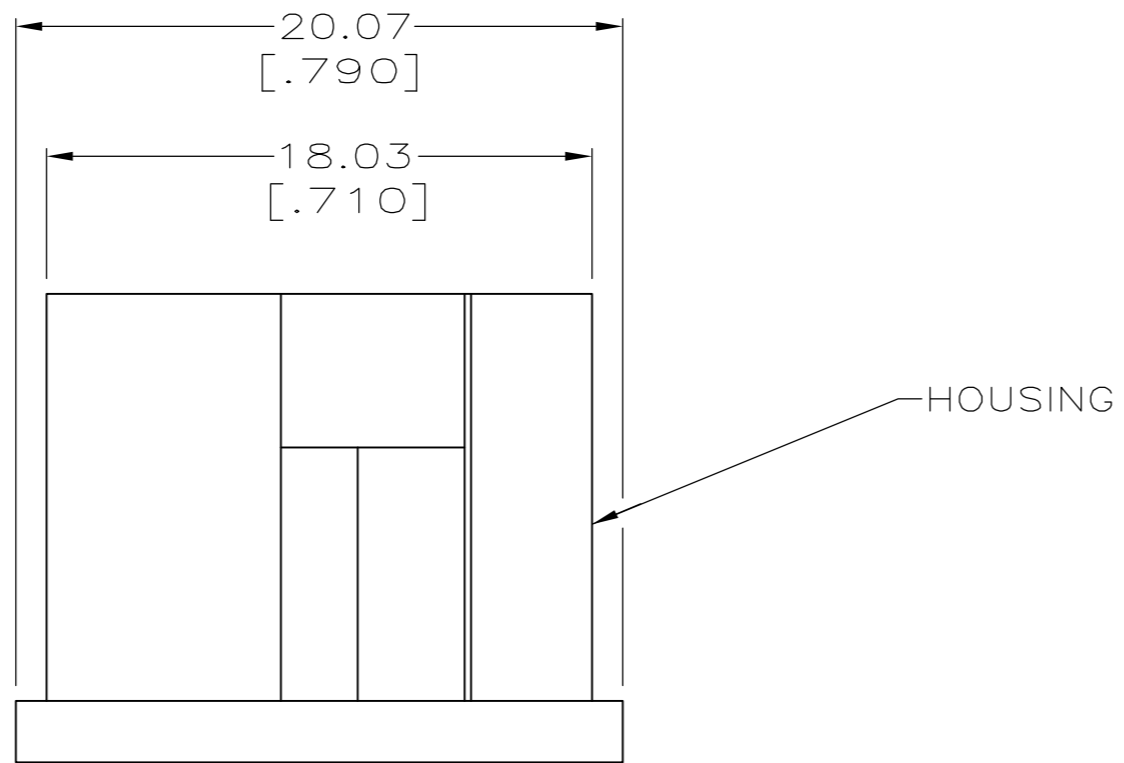
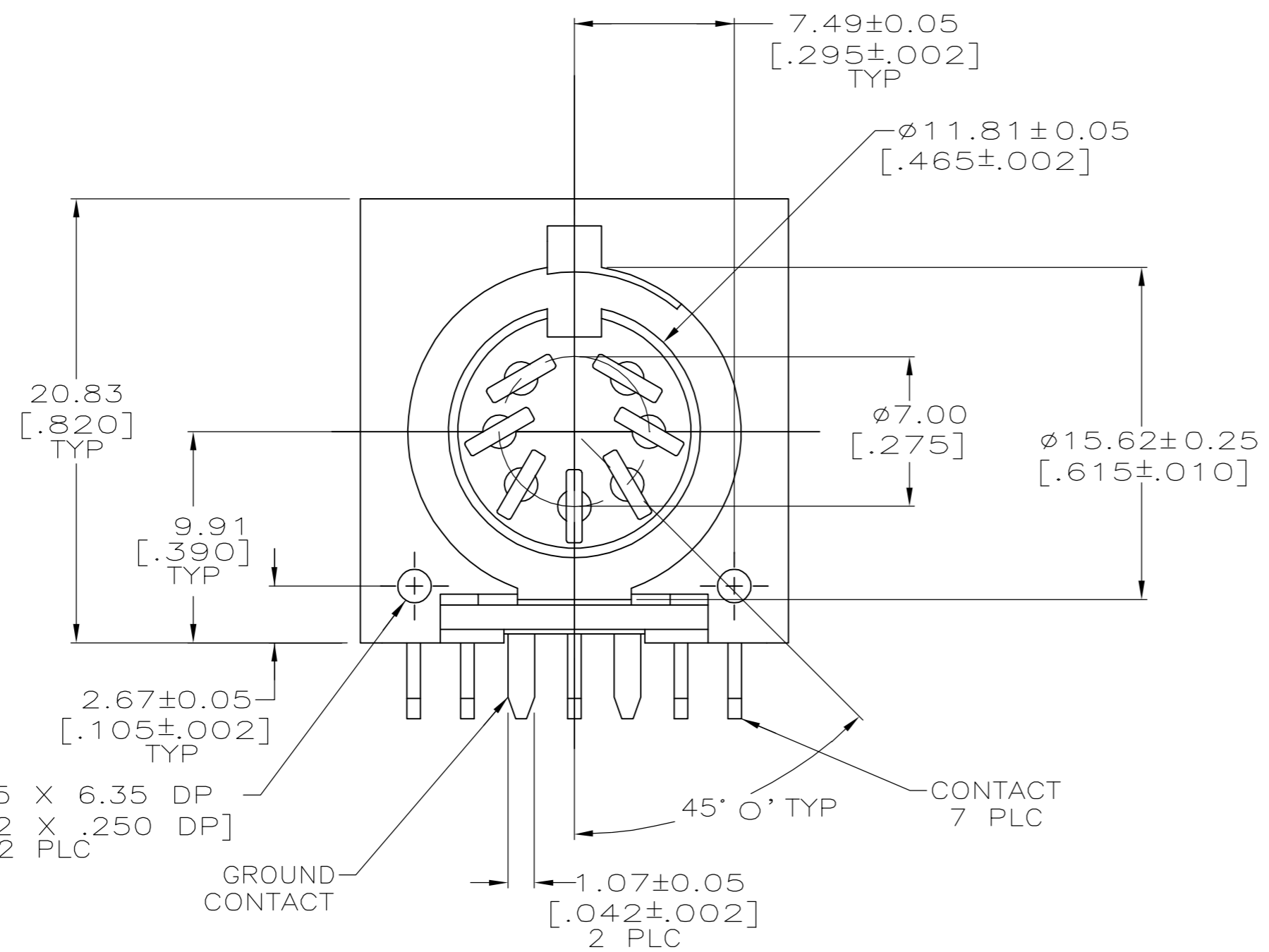


THIS DRAWING IS UNPUBLISHED. RELEASED FOR PUBLICATION  
 © COPYRIGHT BY TYCO ELECTRONICS CORPORATION. ALL RIGHTS RESERVED.

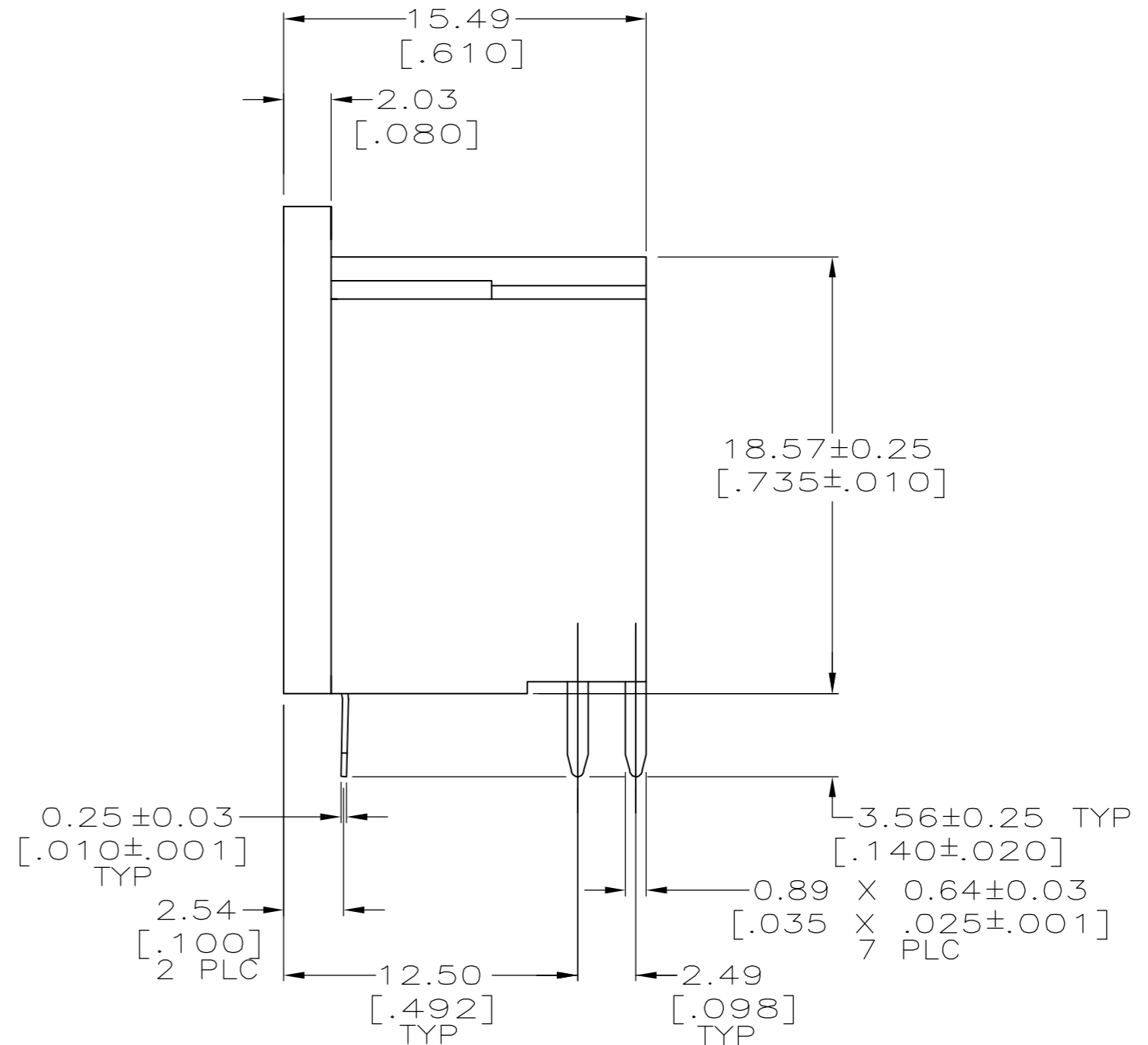
LOC		DIST		REVISIONS			
P	LTR	DESCRIPTION	DATE	DWN	APVD		
GP	00						
	01	REVISED PER ECO-07-008008	10APR07	JDP	CWR		



- ① HOUSING: NYLON, UL 94V-0 RATED, BLACK.
- ② CONTACTS & GROUND CONTACT: 2.54μm [.000100] MIN TIN OVER 1.27μm [.000050] MIN NICKEL.
- ③ ACCEPTS #2 SELF-TAPPING SCREW, .250 LONG REF.
- ④ CONTACT AND GROUND CONTACT: BRASS.



③ φ1.60±0.05 X 6.35 DP  
 [.063±.002 X .250 DP]  
 2 PLC



5211510-1  
 PART NUMBER

THIS DRAWING IS A CONTROLLED DOCUMENT.		DWN L. VARELA - DOCK5 11-11-04	Tyco Electronics Corporation Harrisburg, PA 17105-3608	
DIMENSIONS: mm [INCHES]	TOLERANCES UNLESS OTHERWISE SPECIFIED:	CHK C.ROHDE 11-11-04	APVD M. WALMSLEY 11-11-04	NAME RECEPTACLE ASSY, RIGHT ANGLE, 7 POSITION, CIRCULAR DIN
	0 PLC ± -	PRODUCT SPEC 108-10047	SIZE A2	CAGE CODE 00779
	1 PLC ± -	APPLICATION SPEC 114-40025	DRAWING NO C=5211510	RESTRICTED TO -
MATERIAL	FINISH	WEIGHT -	SCALE 4:1	SHEET 1 of 1
① ④	②	CUSTOMER DRAWING	REV 01	